
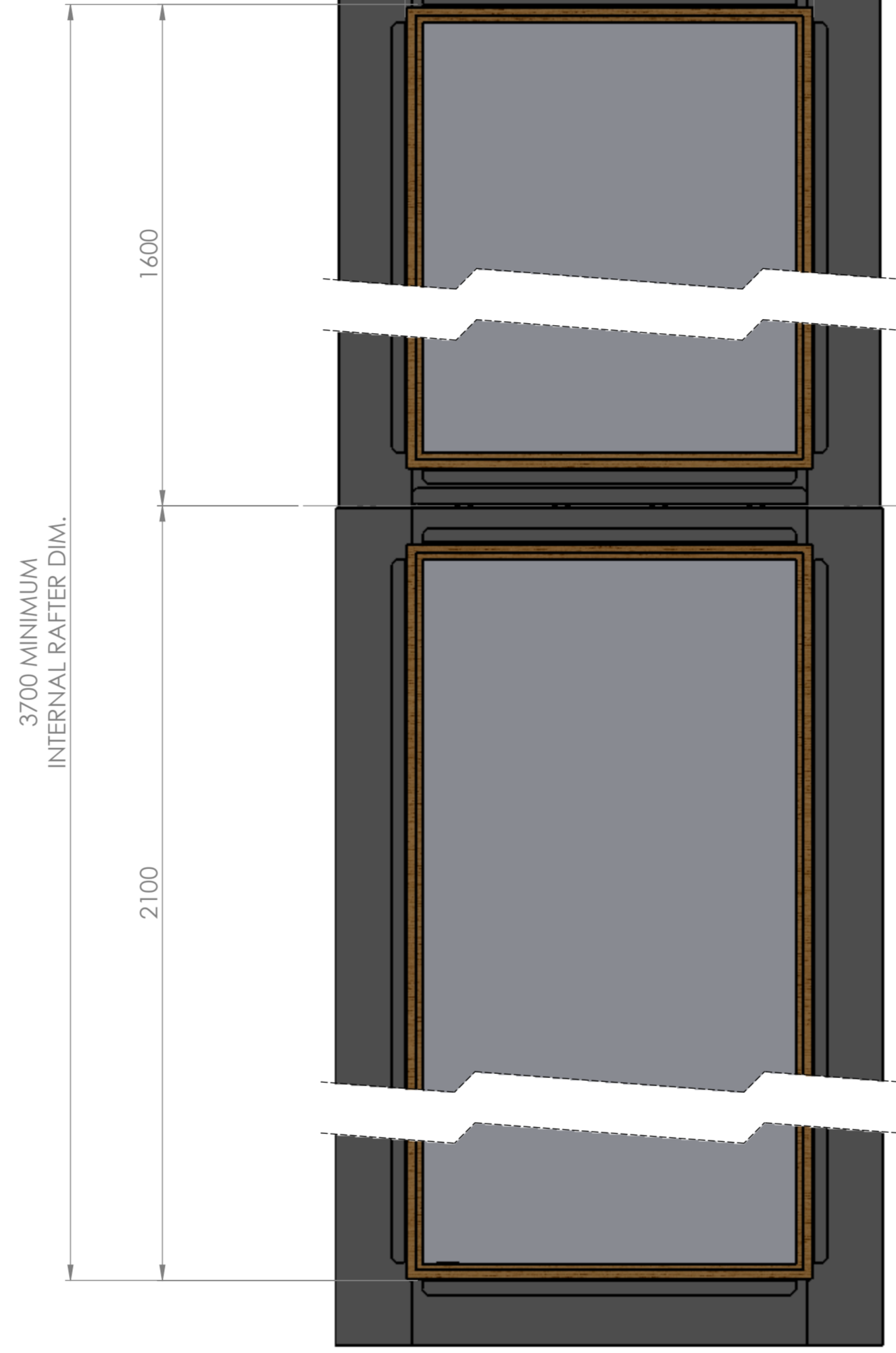
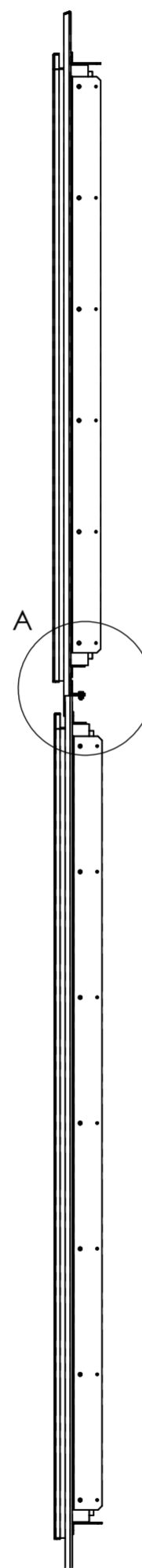
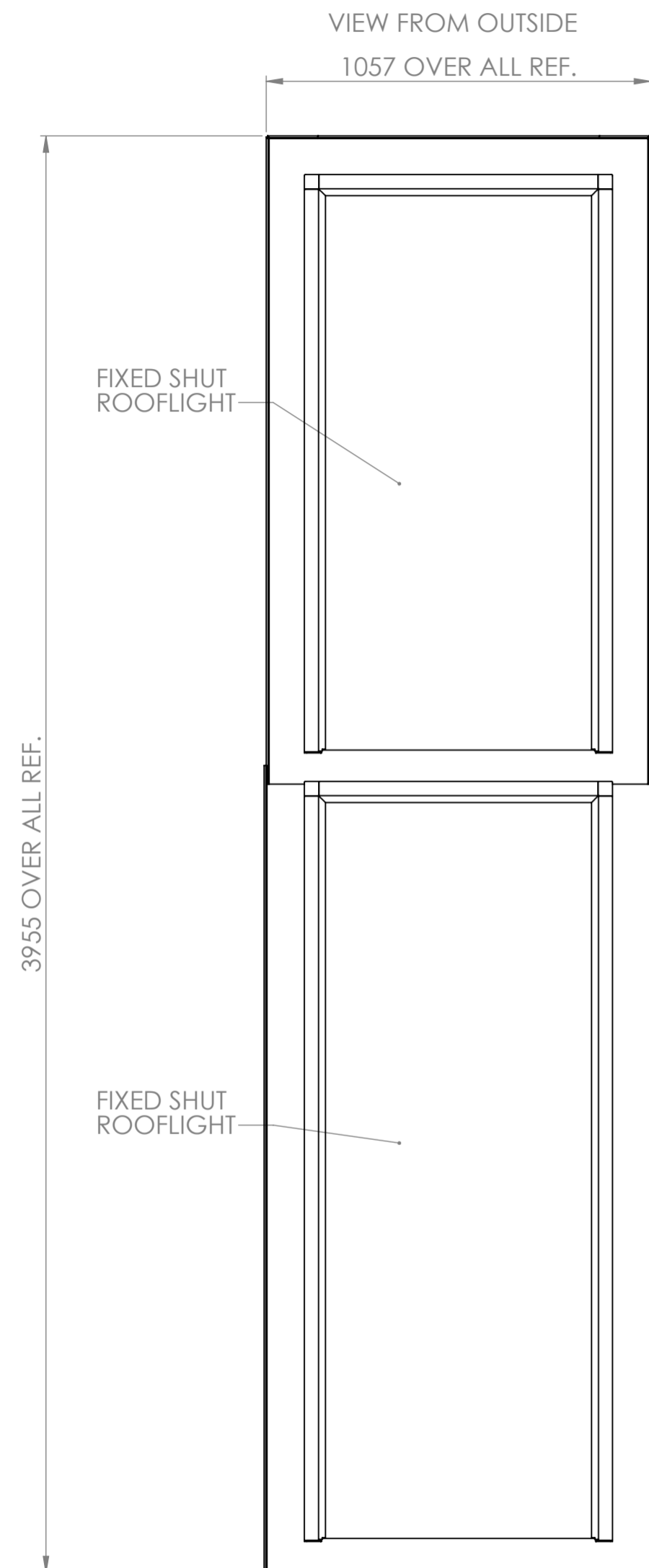


**GENERAL INFORMATION**  
 3RD ANGLE PROJECTION   
 DO NOT SCALE - IF IN DOUBT, ASK  
 REMOVE ALL SHARP EDGES AND BURRS

ITEM NO.	PART NUMBER	DESCRIPTION	QTY.
1	LUM1169A	BESPOKE FIXED SHUT ROOF LIGHT GA	
2	LUM1159A	BESPOKE FIXED SHUT ROOF LIGHT GA	
3	LUM1171P	WOODEN INFILL	

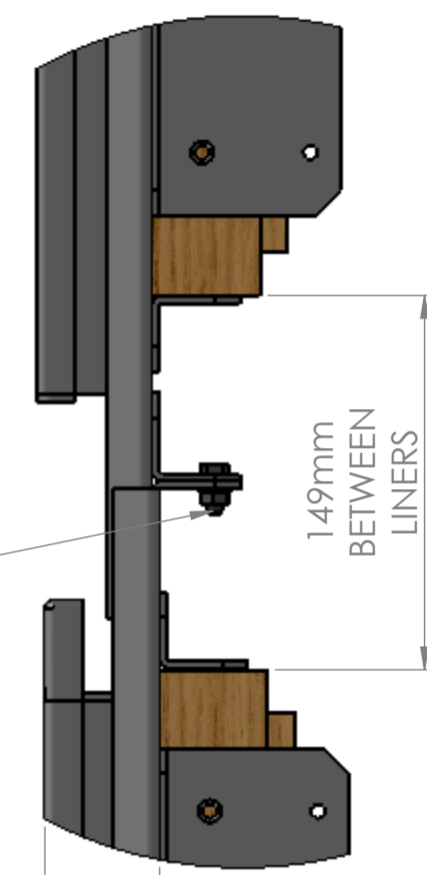
TOLERANCES UNLESS OTHERWISE SPECIFIED

LINEAR - 0 DECIMAL PLACES	±1.0mm
LINEAR - 1 DECIMAL PLACES	±0.50mm
LINEAR - 2 DECIMAL PLACES	±0.15mm
ANGULAR	±1.0°
SURFACE FINISH - GENERAL	3.2 µm
SURFACE FINISH - MACHINED	1.6 µm
SURFACE FINISH - GROUND	0.4 µm
SURFACE FINISH - POLISHED	0.2 µm
SCREW THREAD - INTERNAL	6H
SCREW THREAD - EXTERNAL	6g

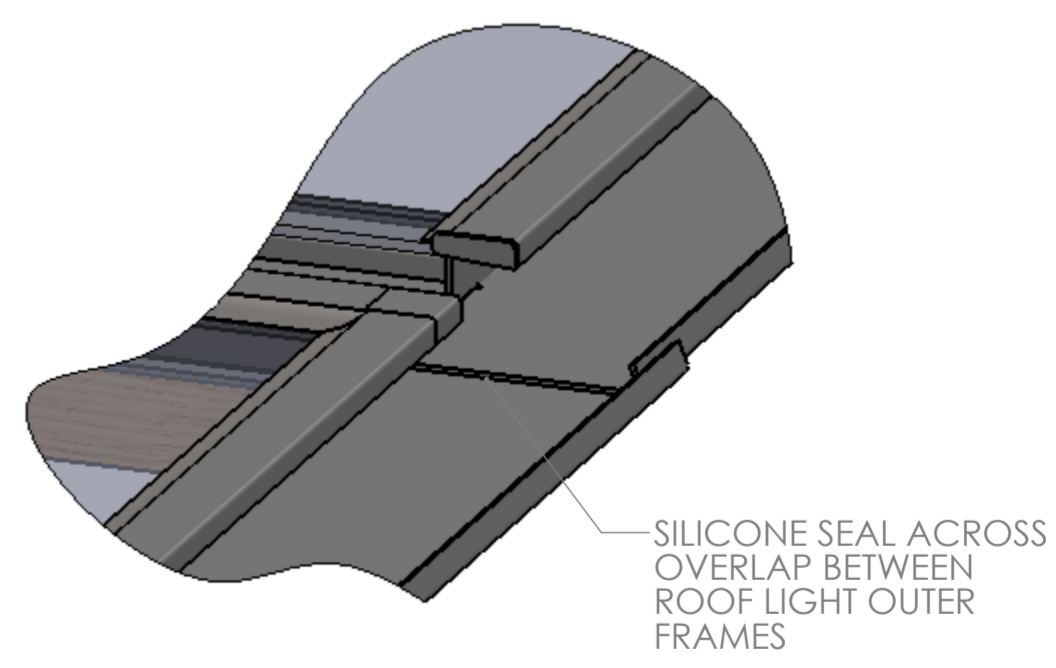


5 OFF M6x20 HEX HEAD SCREW  
 WASHER & NYLOCK NUTS  
 TO CLAMP EACH WINDOW  
 FRAMES TOGETHER  
 ACCROSS OUTER FRAME

BRIDGE GAP BETWEEN LINERS  
 WITH WOODEN INFILL



DETAIL A  
 SCALE 1 : 3



SILICONE SEAL ACROSS  
 OVERLAP BETWEEN  
 ROOF LIGHT OUTER  
 FRAMES

**LUMEN**  
 ROOFLIGHT

THE INFORMATION CONTAINED IN THIS DRAWING IS THE  
 SOLE PROPERTY OF LUMEN.  
 ANY REPRODUCTION IN PART OR AS A WHOLE WITHOUT  
 WRITTEN PERMISSION IS STRICTLY PROHIBITED

SHEET: 1 OF 1 - A2  
 DATE: 19/01/14

DRAWN: S.C  
 SCALE: 1:15  
 WEIGHT: 185  
 UNITS: mm; kg

TITLE: BESPOKE ROOF LIGHT INSTALLATION GA  
 REF: 78-11566  
 SA. REF:

MATERIAL: MILD STEEL  
 TREATMENT:  
 FINISH: SHOT BLAST TO SA2.5 & POWDER COAT PZ790  
 SYSTEM RAL. 9005 BLACK

PART TYPE: BESPOKE  
 PART REF: LUM1170A  
 DRG. No. LUM1170A  
 ISSUE: 2