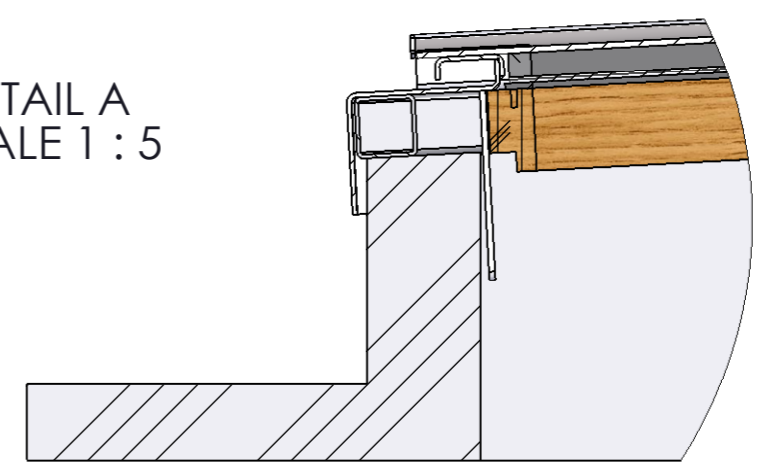
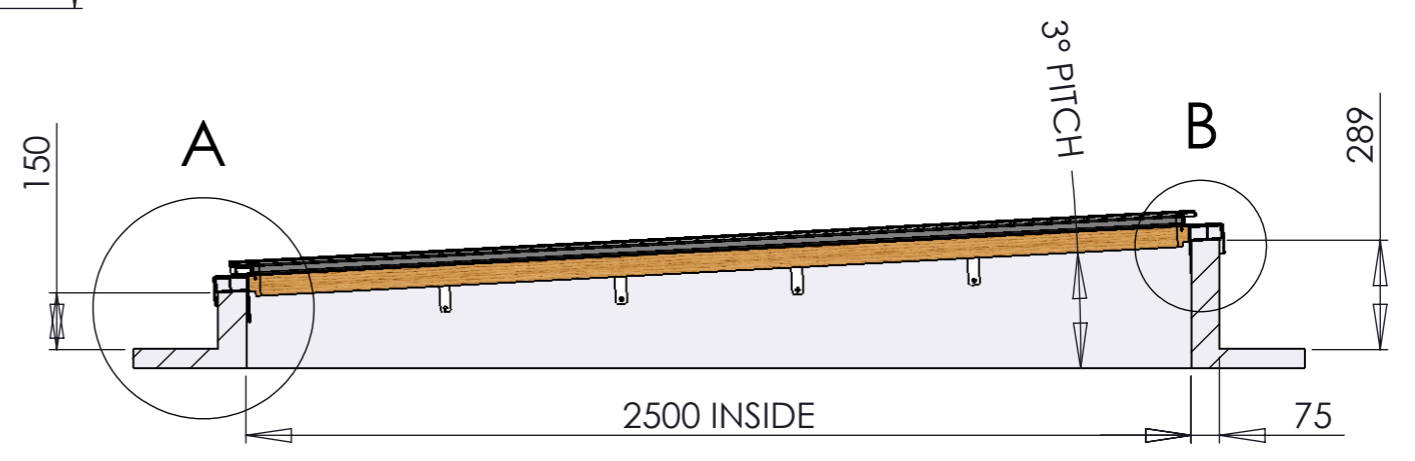
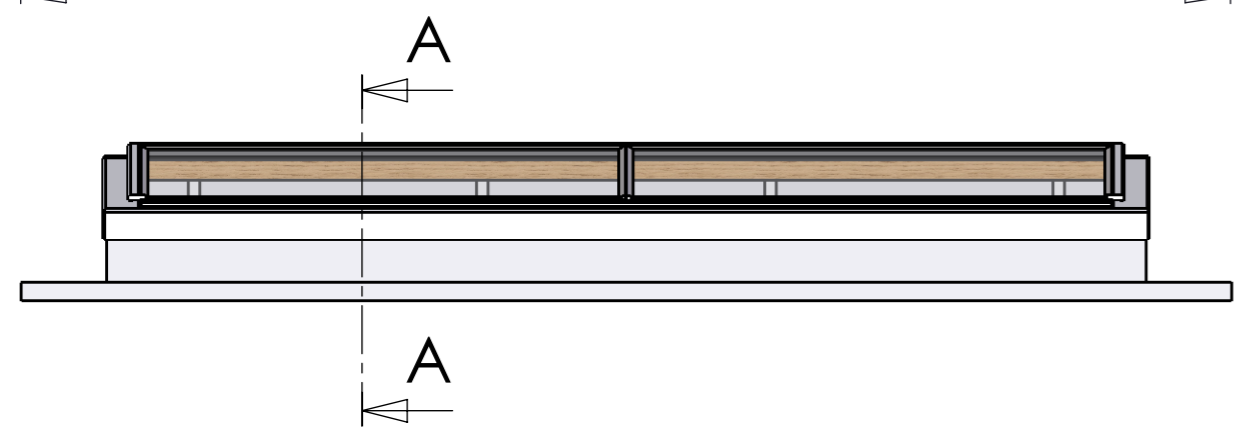
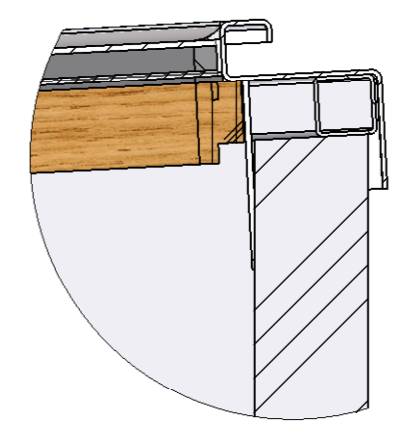


DETAIL A
SCALE 1 : 5



DETAIL B
SCALE 1 : 5



SECTION A-A

SECTION B-B

	NAME	DATE	MATERIAL: _	Sheet Scale: 1:20
DRAWN	SHAUN COUCH	20/10/2009		SHEET 1 OF 1
APPROVED			TITLE:	
LUMEN ROOFLIGHT		TEL. (08453) 308859	BESPOKE LUMEN FIXED FLATROOF SKYLIGHT	
		FAX. (08453) 307260	INTERNAL KERB SIZE 2600W X 2500H	
UNLESS OTHERWISE SPECIFIED DIMENSIONS ARE IN MILLIMETERS			SIZE: DRWG No.	Rev No.
ANGLE $\pm 0.5^\circ / 0.0 \pm 0.25\text{mm} / 0.00 \pm 0.1\text{mm} / 0.000 \pm 0.05\text{mm}$			A3 Site Install	1