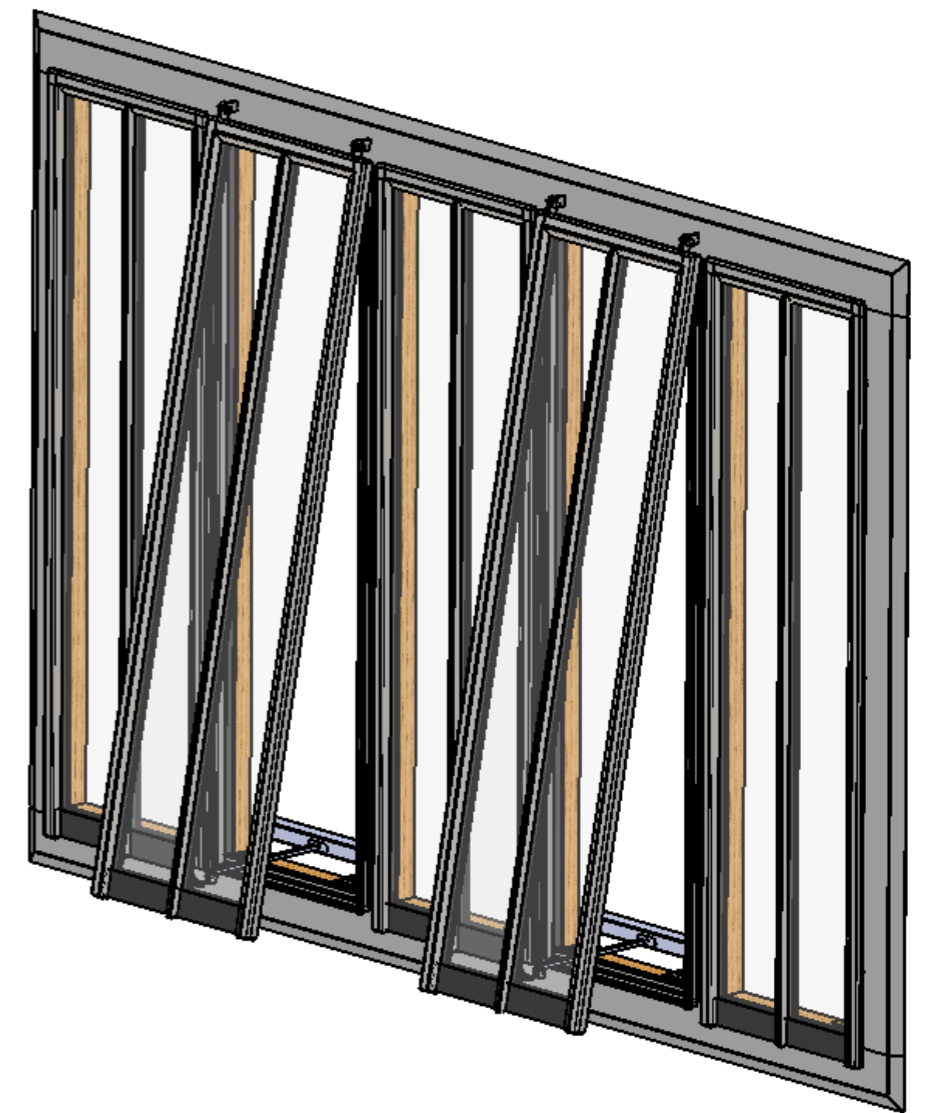
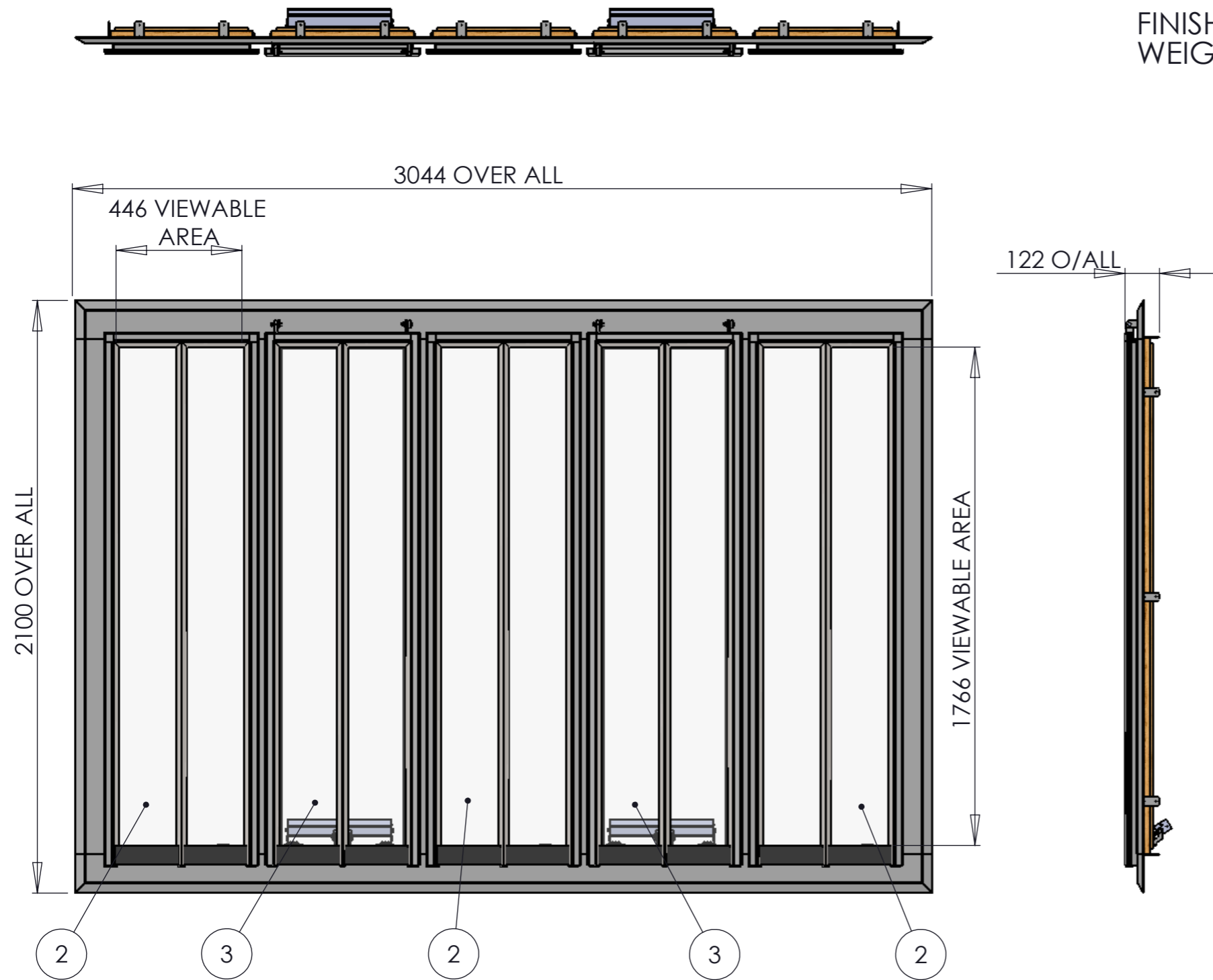


FINISH: POWDER COAT RAL 9005 BLACK
 WEIGHT: 252.60Kg



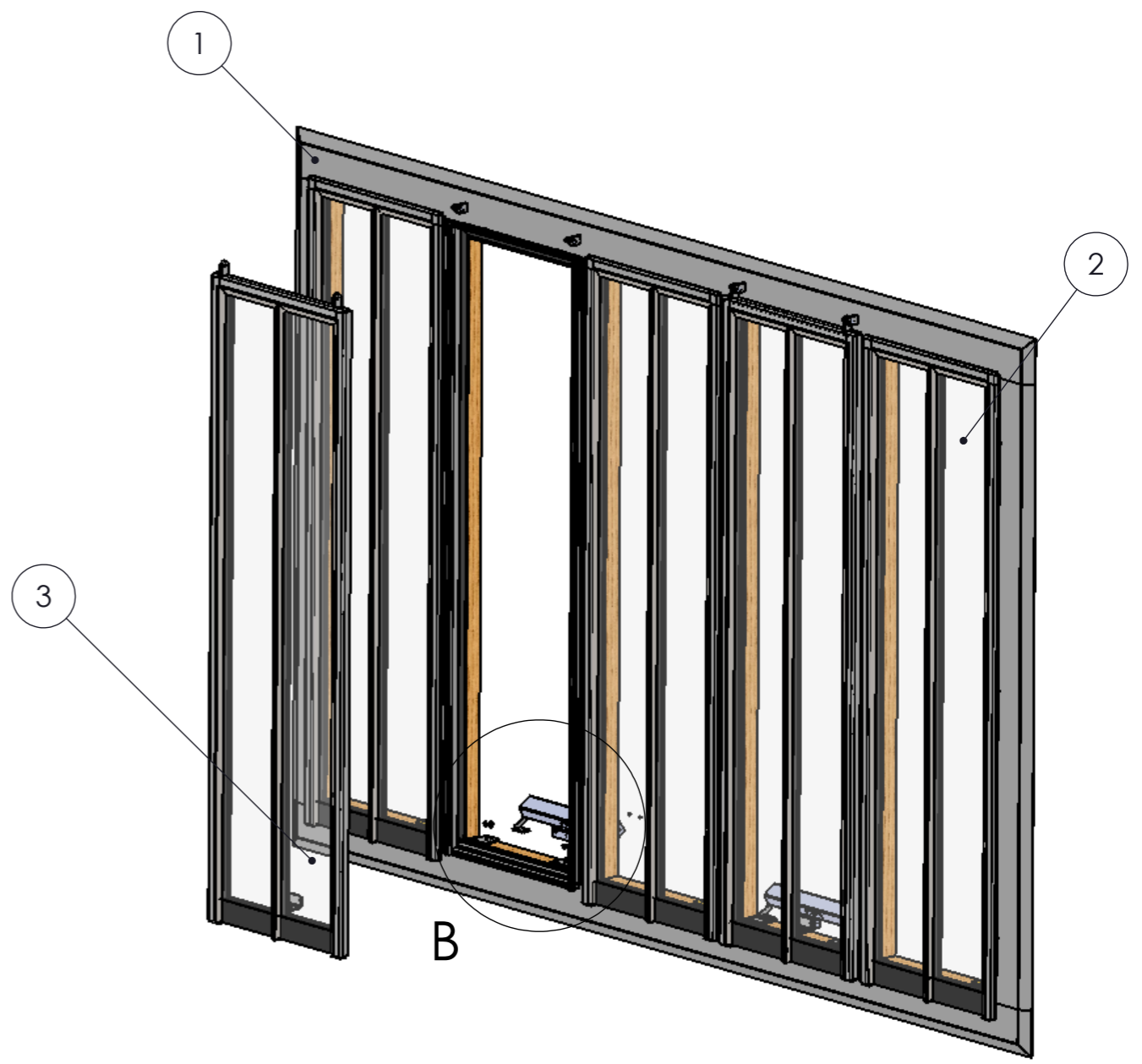
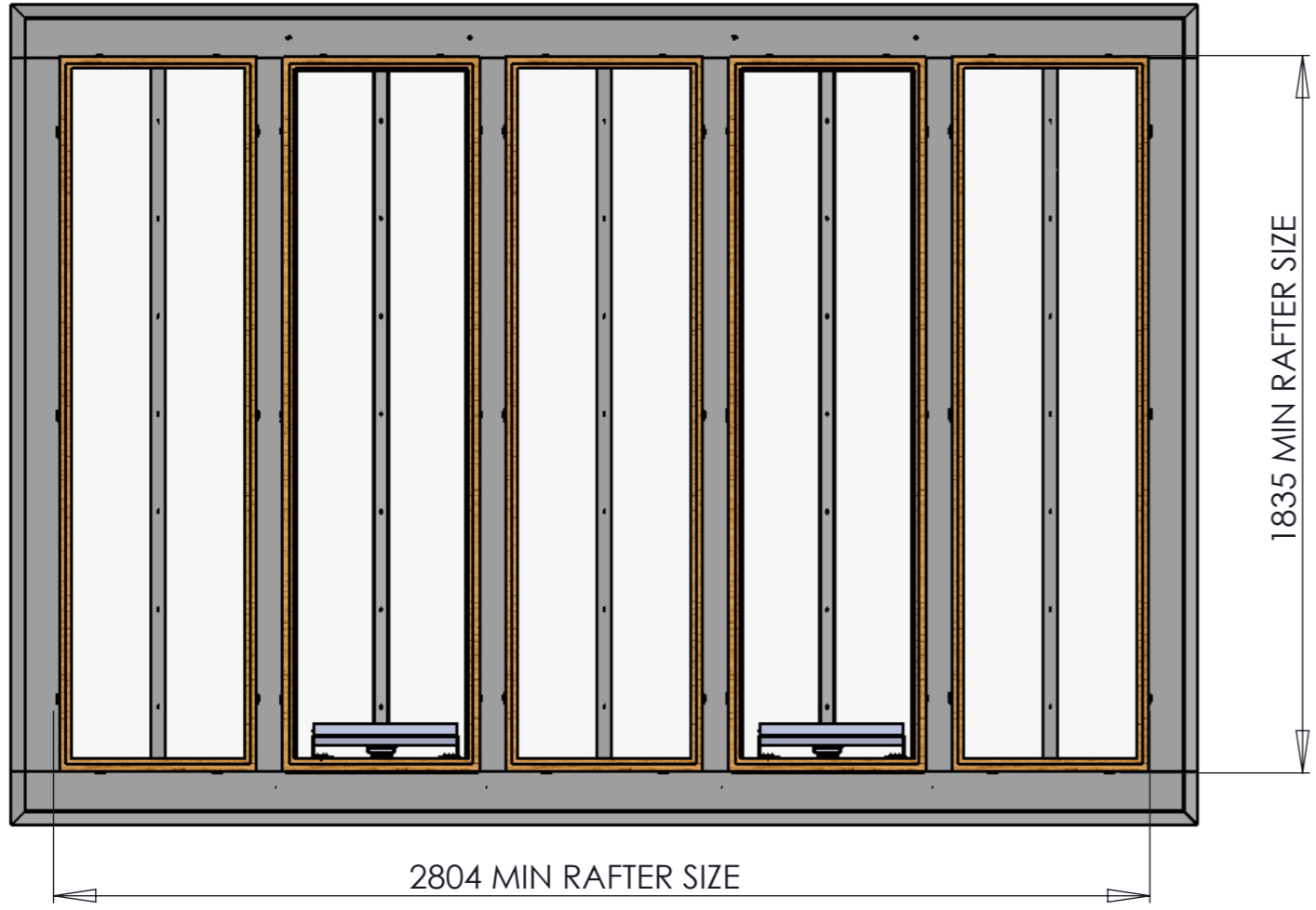
VIEW SHOWING WINDOW IN FULLY OPEN POSITION

ITEM NO.	PART REF.	QTY.
1	OPENING Outer Frame GA	1
2	Double Glazed Unit Assembly	6
3	OPENING CASEMENT GA	2
4	KA 34_54-250 D+H CHAIN DRIVE	2
5	M5 x 10 POZI PAN HEAD SCREW	4
6	M6 x 8 CSK POZI SCREW	12

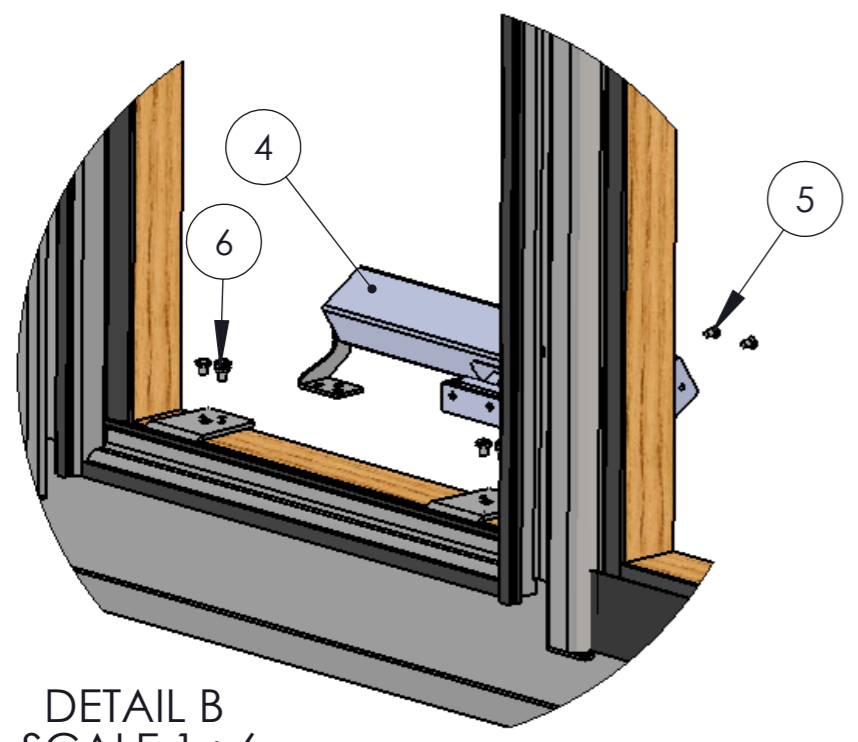
	NAME	DATE	MATERIAL: ZINTEC STEEL	Sheet Scale: 1:18
DRAWN	SHAUN COUCH	03/06/2010		SHEET 1 OF 2
APPROVED			PART REF: OPENING Rooflight Assembly	
LUMEN ROOFLIGHT UNLESS OTHERWISE SPECIFIED DIMENSIONS ARE IN MILLIMETERS ANGLE $\pm 0.5^\circ$ / $0.0 \pm 0.25\text{mm}$ / $0.00 \pm 0.1\text{mm}$ / $0.000 \pm 0.05\text{mm}$			TITLE: BESPOKE OPENING ROOFLIGHT 3 FIXED CASEMENTS & 2 OPENING CASEMENT REF. GAIGER BROS.	
			TEL. (08453) 308859 FAX. (08453) 307260	SIZE: DRWG No. A3 TUS574GA



VIEW FROM ROOM SIDE OF WINDOW



EXPLODED VIEW OF CASEMENT FITMENT



DETAIL B
SCALE 1 : 6

	NAME	DATE	MATERIAL: ZINTEC STEEL	Sheet Scale: 1:18
DRAWN	SHAUN COUCH	03/06/2010		SHEET 2 OF 2
APPROVED			PART REF: OPENING Rooflight Assembly	
LUMEN ROOFLIGHT		TEL. (08453) 308859 FAX. (08453) 307260	TITLE: BESPOKE OPENING ROOFLIGHT 3 FIXED CASMENTS & 2 OPENING CASEMENT REF. GAIGER BROS.	
UNLESS OTHERWISE SPECIFIED DIMENSIONS ARE IN MILLIMETERS ANGLE ±0.5° / 0.0 ±0.25mm / 0.00±0.1mm /0.000 ±0.05mm			SIZE: DRWG No. A3 TUS574GA	Rev No. 1