

# VCD 204 TMS+ SET drive



## Performance features

- » For façade windows, roof windows and ventilation flaps in conservatories
- » With motor electronics controlled via microprocessor
- » Special chain stabilisation and centred chain outlet
- » "TMS+" tandem safety function for operating 2 drives on one sash
- » Option of chain stroke programming via magnet
- » Reprogrammed opening stroke is transmitted to the tandem drive
- » Direct cable guidance between the drives for visually appealing solution
- » Simple connection via plug connector
- » Programmable drive functions and different drive parameters
- » Running speed in CLOSED direction decreases to 5 mm/s (passive closing edge protection)
- » Time-controlled reversing when an obstacle is detected in the CLOSED direction (active closing edge protection)

## Accessories

Brackets



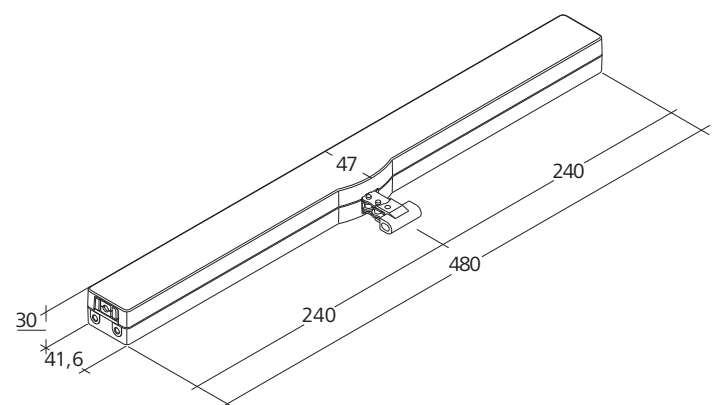
Cables



## Technical data

Supply	24 V DC / $\pm 20\%$ / 0.35 A
Duty cycle	30 %
Force of pressure	200 N
Tensile force	150 N
Nominal locking force	2000 N
Service life	> 10000 double strokes
OPEN running speed	6 mm/s
CLOSED running speed	6 mm/s
Temperature range	0 °C ... +60 °C
Housing	Die-cast zinc
Surface	Powder-coated
Type of protection	IP 30
Connection	2.5 m PVC-cable
W x H x (D) in mm	480 x 30 x 47
Weight	3.00 kg

## Dimensions



All specifications in mm

## Design

Type	Art. No.	Stroke	Colour	Remark
VCD 204/350-TMS+ Set (SR)	25.122.05	350 mm	Silver (~ RAL 9006)	
VCD 204/350-TMS+ Set (WH)	25.122.06	350 mm	White (~ RAL 9016)	
VCD 204/350-TMS+ Set (BK)	25.122.07	350 mm	Black (~ RAL 9005)	
VCD 204-PLP	25.100.00			Variable equipment possible