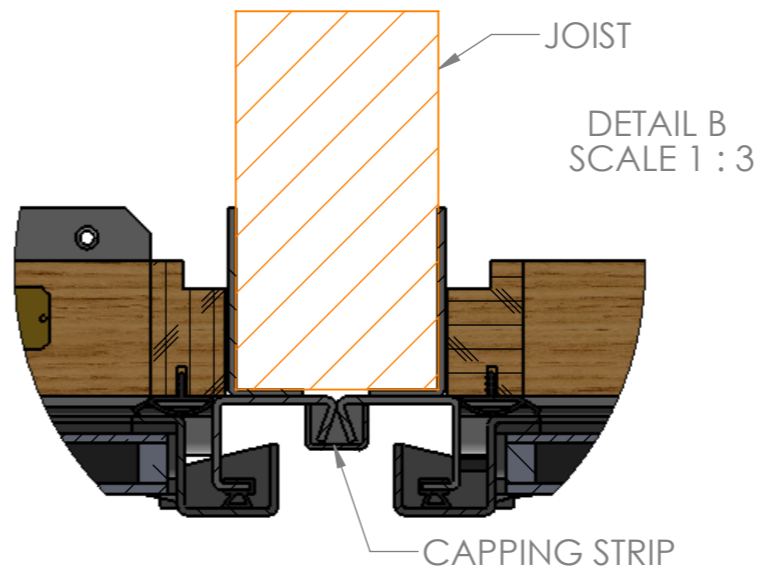


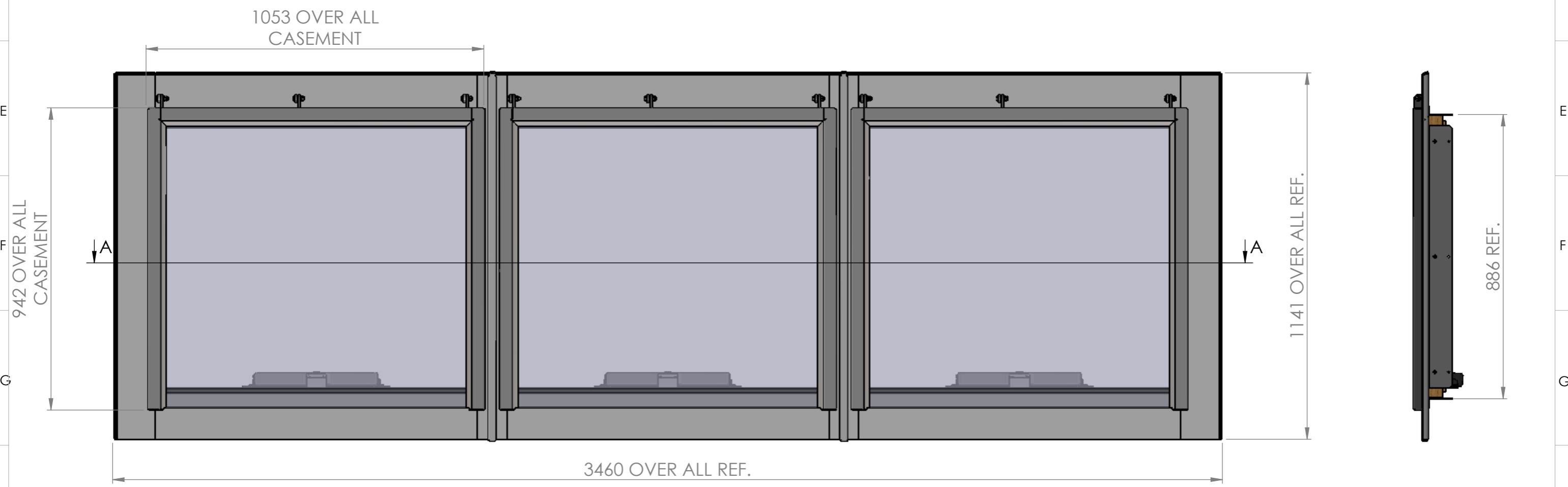
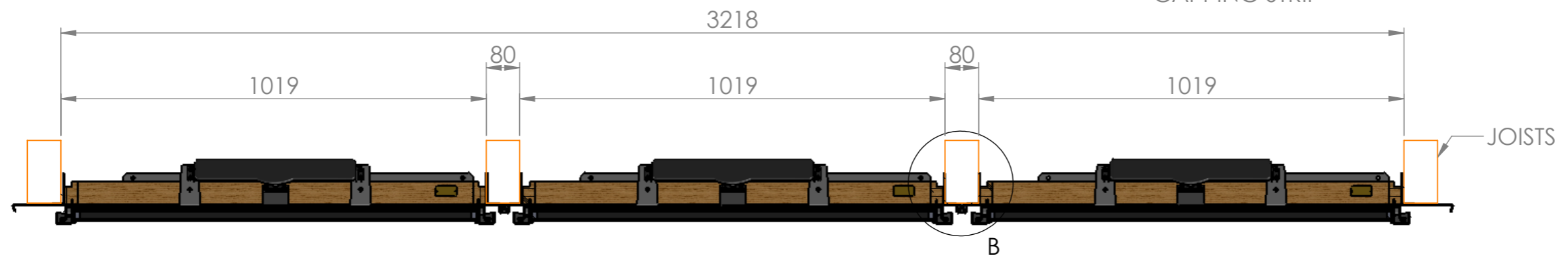
GENERAL INFORMATION
 3RD ANGLE PROJECTION
 DO NOT SCALE - IF IN DOUBT, ASK
 REMOVE ALL SHARP EDGES AND BURRS

TOLERANCES UNLESS OTHERWISE SPECIFIED	
LINEAR - 0 DECIMAL PLACES	±1.0mm
LINEAR - 1 DECIMAL PLACES	±0.50mm
LINEAR - 2 DECIMAL PLACES	±0.15mm
ANGULAR	
	±1.0°
SURFACE FINISH - GENERAL	
	3.2 µm
SURFACE FINISH - MACHINED	
	1.6 µm
SURFACE FINISH - GROUND	
	0.4 µm
SURFACE FINISH - POLISHED	
	0.2 µm
SCREW THREAD - INTERNAL	
	6H
SCREW THREAD - EXTERNAL	
	6g

ITEM NO.	PART NUMBER	DESCRIPTION	QTY.
1	LUM1350A	BESPOKE OPENING ROOFLIGHT	1
2	LUM1383A	BESPOKE OPENING ROOFLIGHT	1
3	LUM1386A	BESPOKE OPENING ROOFLIGHT	1
4	LUM1388P	CAPPING STRIP	2



SECTION A-A



LUMEN
ROOFLIGHT

THE INFORMATION CONTAINED IN THIS DRAWING IS THE SOLE PROPERTY OF LUMEN. ANY REPRODUCTION IN PART OR AS A WHOLE WITHOUT WRITTEN PERMISSION IS STRICTLY PROHIBITED

SHEET: 1 OF 1 - A3
 DATE: 15/02/2014 UNITS: mm; kg

DRAWN: S.C
 SCALE: 1:12
 WEIGHT: 176

TITLE: BESPOKE ROOF LIGHT GA

MATERIAL: MILD STEEL
 TREATMENT:
 FINISH: POWDER COAT RAL. 9005 BLACK

REF: 90-SPACE SHUFFLE SA. REF:

PART TYPE: BESPOKE
 PART REF: LUM1387A

DRG. No. LUM1387A ISSUE: 1

DRG. No. LUM1387A ISSUE: 1