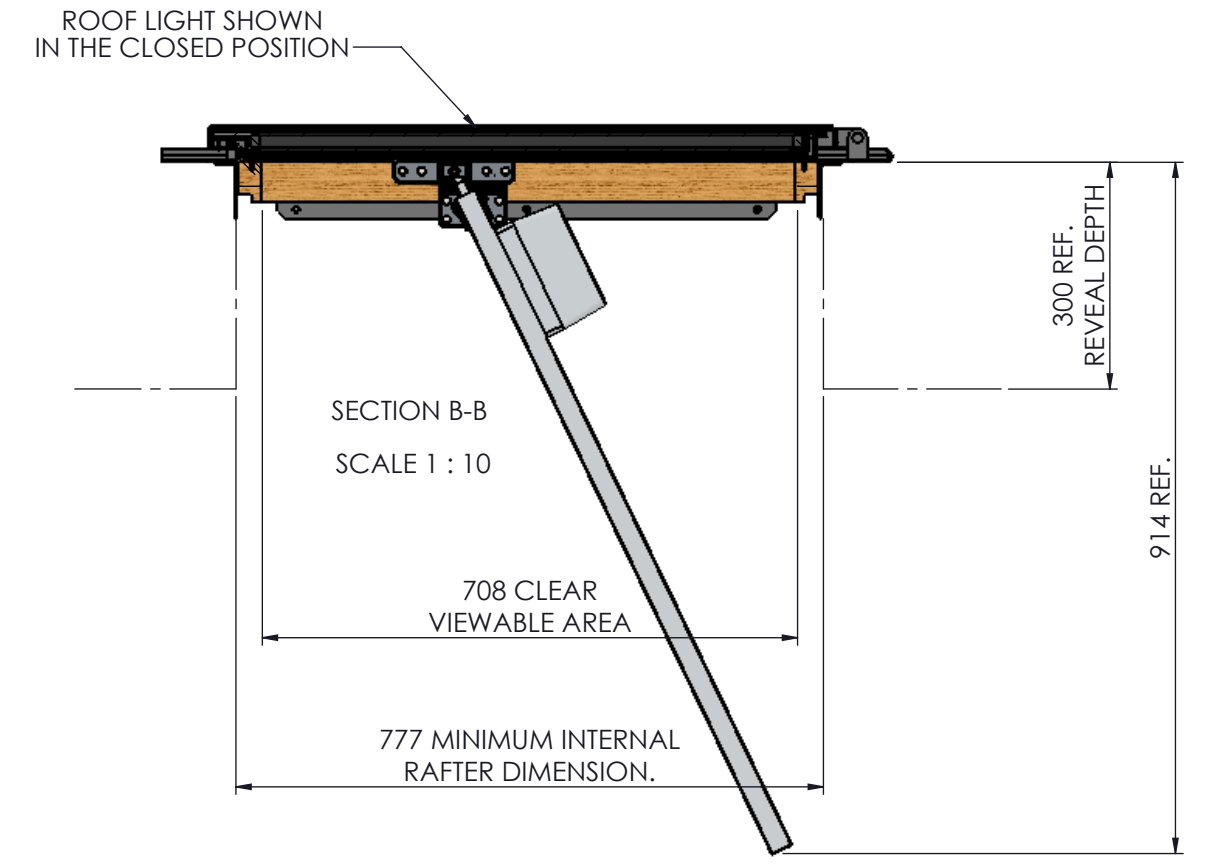
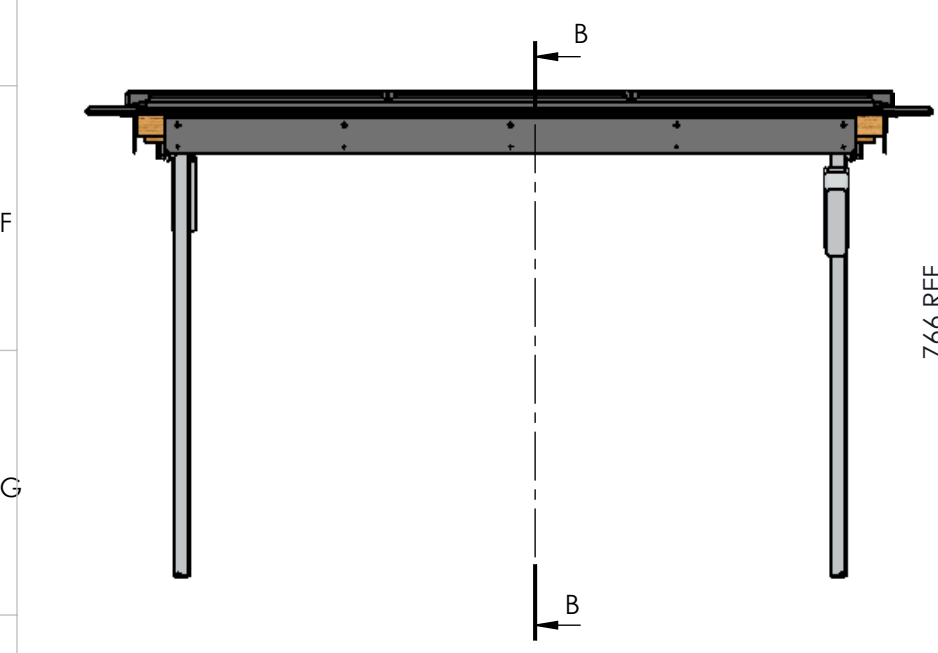
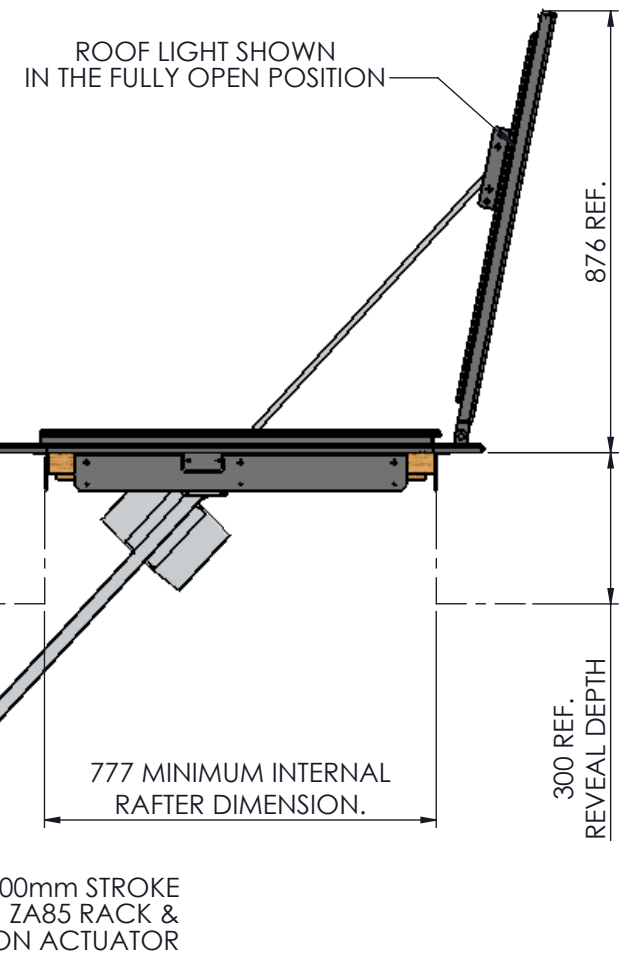
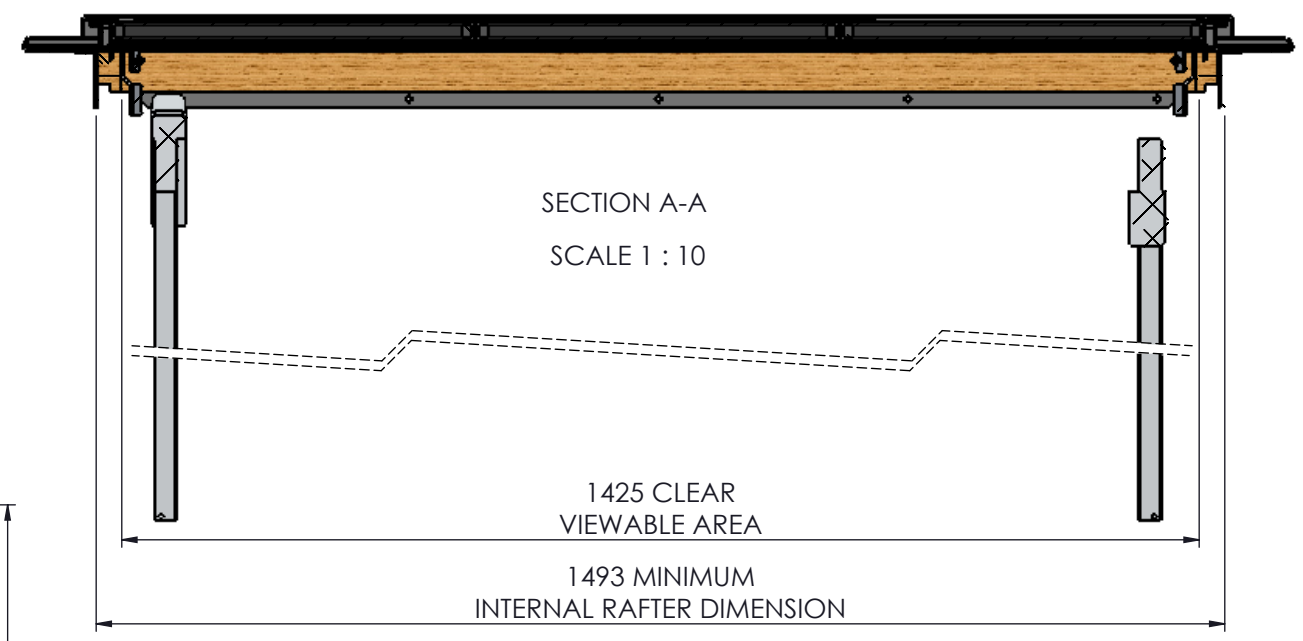
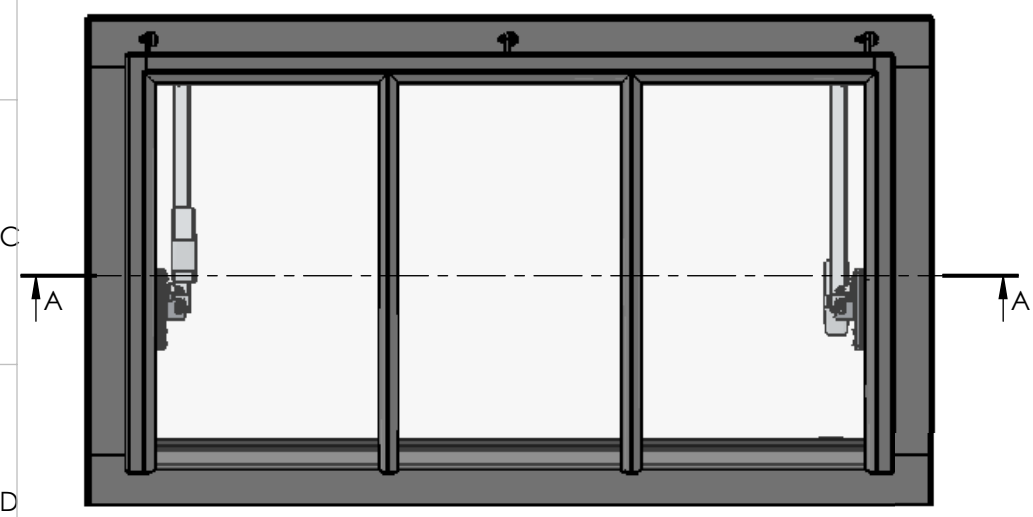


GENERAL INFORMATION  
 3RD ANGLE PROJECTION  
 DO NOT SCALE - IF IN DOUBT, ASK  
 REMOVE ALL SHARP EDGES AND BURRS

ITEM NO.	PART NUMBER	DESCRIPTION	QTY.
1	LUM1320A	BESPOKE ROOFLIGHT OUTER FRAME GA	1
2	LUM1321A	BEPOKE ROOFLIGHT CASMENT GA	1
3	LUM0032P	HINGE WASHER	6
4	M8 Nylock Nut - ST STEEL	M8 NYLOCK NUT	3
5	ZA 85-800 Side Mount Drive Assembly		2
6	M5 x 16 CSK POZI BZP SCREW		16
7	M5 Dome Nut		16

TOLERANCES UNLESS OTHERWISE SPECIFIED

LINEAR - 0 DECIMAL PLACES	±1.0mm
LINEAR - 1 DECIMAL PLACES	±0.50mm
LINEAR - 2 DECIMAL PLACES	±0.15mm
ANGULAR	±1.0°
SURFACE FINISH - GENERAL	3.2 µm
SURFACE FINISH - MACHINED	1.6 µm
SURFACE FINISH - GROUND	0.4 µm
SURFACE FINISH - POLISHED	0.2 µm
SCREW THREAD - INTERNAL	6H
SCREW THREAD - EXTERNAL	6g



**LUMEN**  
 ROOFLIGHT

THE INFORMATION CONTAINED IN THIS DRAWING IS THE SOLE PROPERTY OF LUMEN. ANY REPRODUCTION IN PART OR AS A WHOLE WITHOUT WRITTEN PERMISSION IS STRICTLY PROHIBITED.  
 SHEET: 1 OF 1 - A3  
 DATE: 17/03/2014 UNITS: mm; kg

DRAWN: S.C  
 SCALE: 1:15  
 WEIGHT: 81.38

TITLE: BESPOKE ROOFLIGHT GA  
 REF: 87-11622 SA. REF:

MATERIAL: MILD STEEL  
 TREATMENT:  
 FINISH: SHOT BLAST TO SA2.5 & POWDER COAT PZ790 SYSTEM RAL. 9005 BLACK

PART TYPE: BESPOKE  
 PART REF: LUM1319A  
 DRG. No. LUM1319A ISSUE: 1