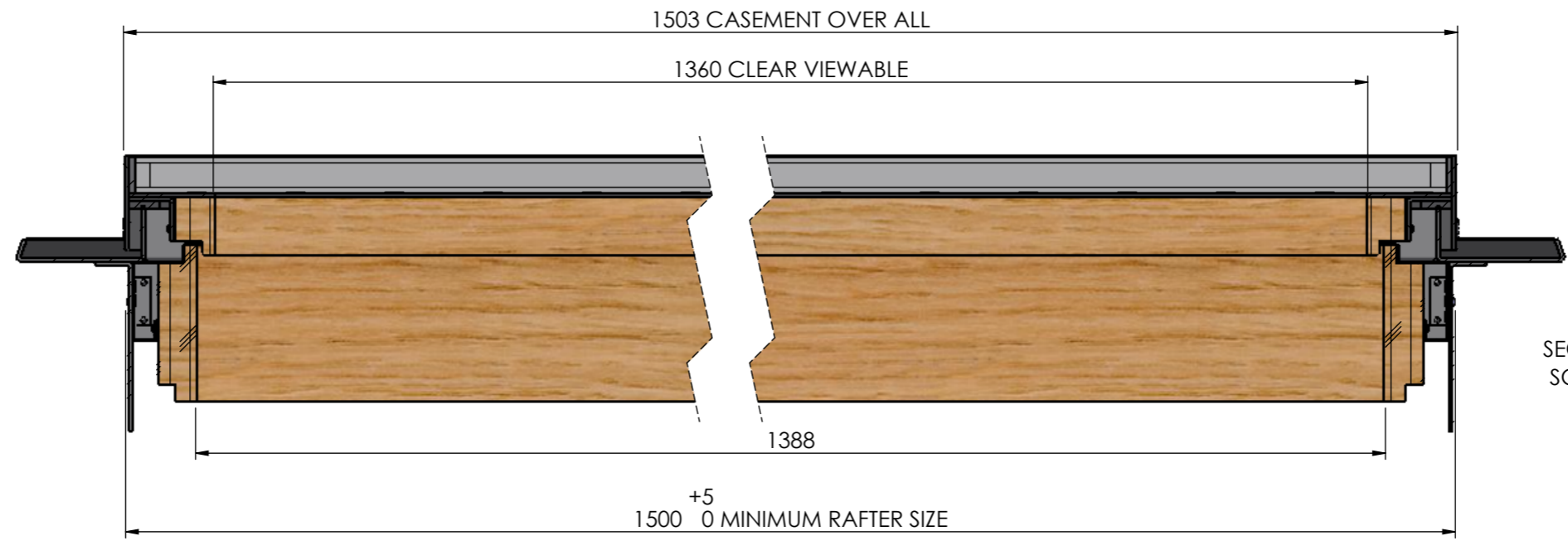
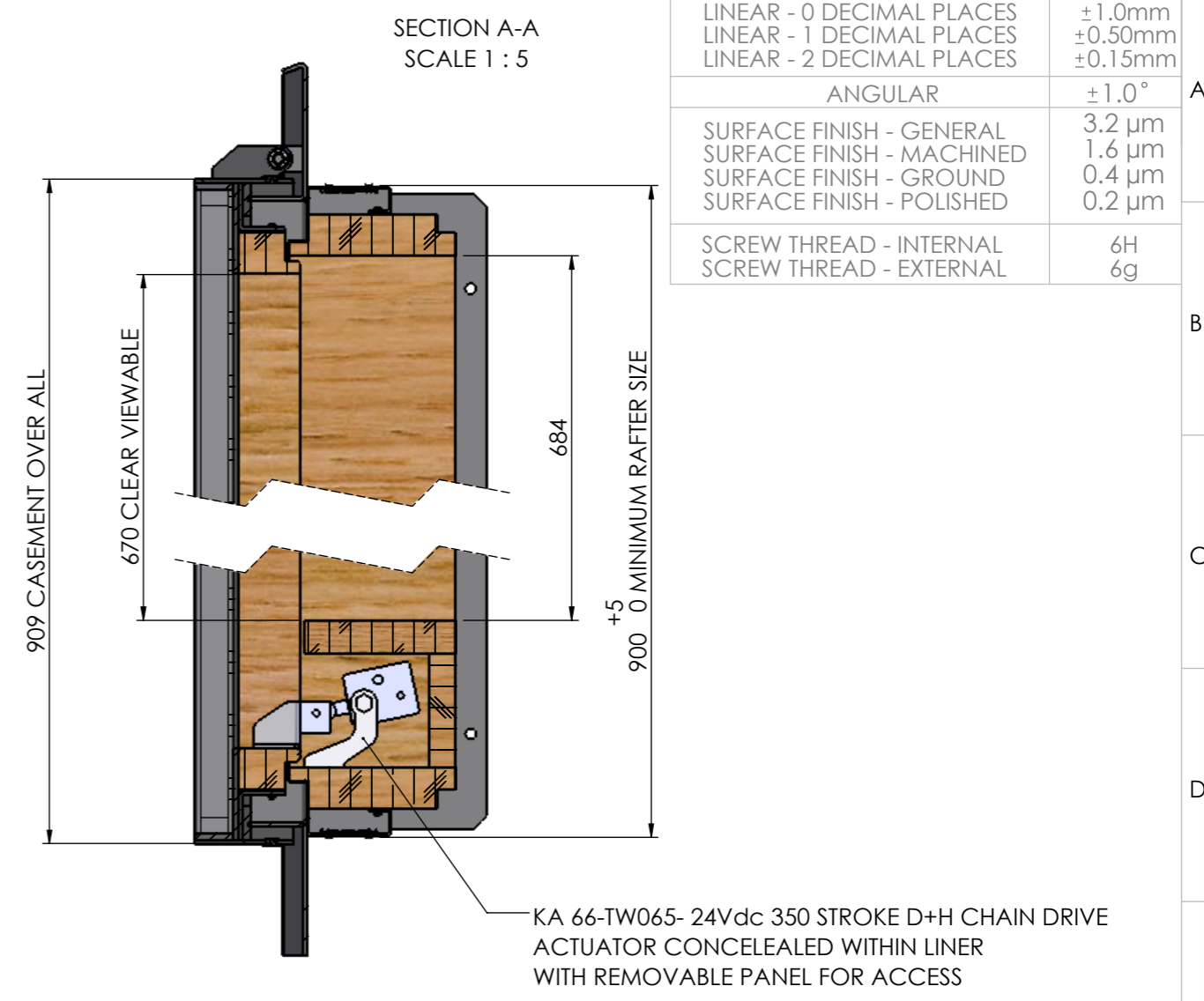
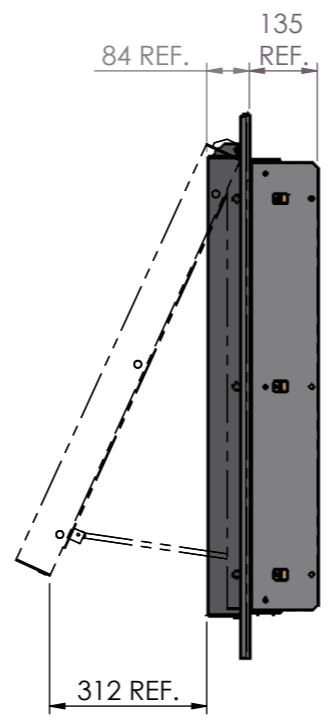
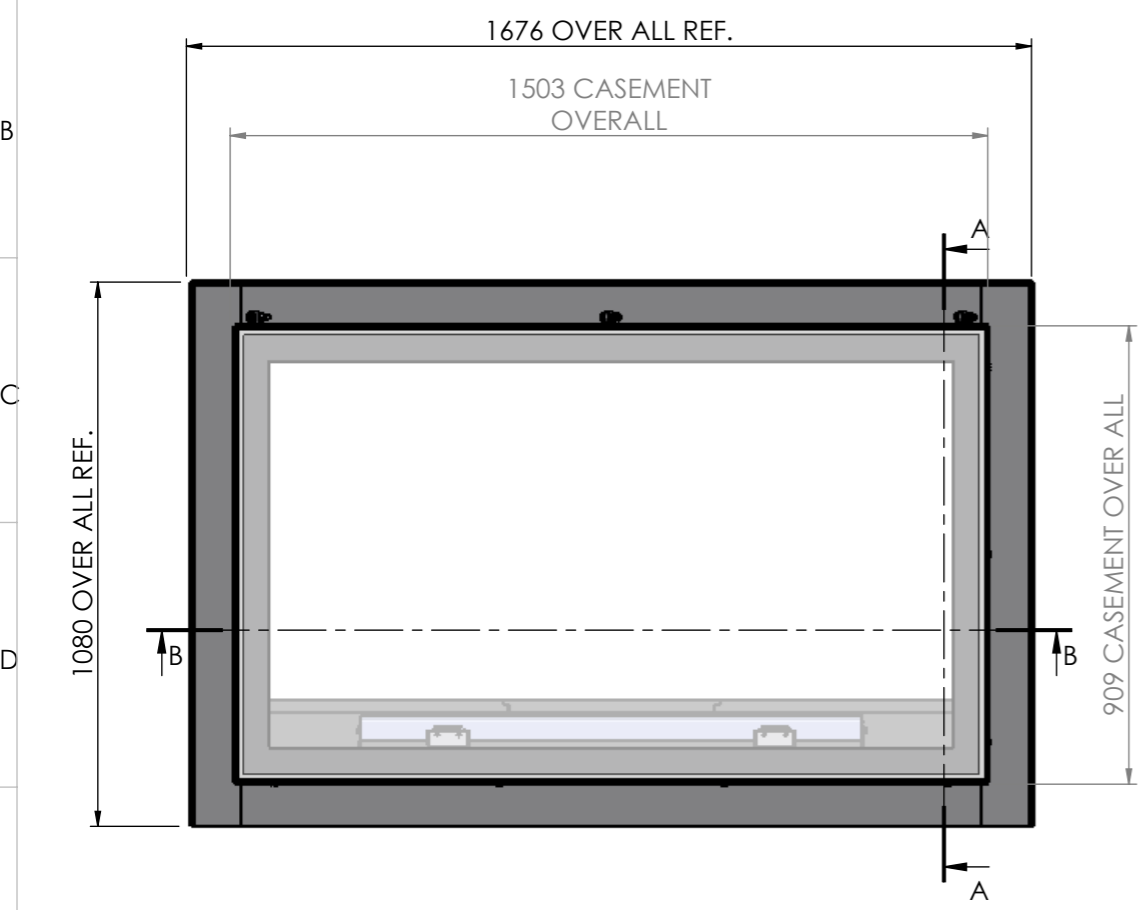


GENERAL INFORMATION
 3RD ANGLE PROJECTION
 DO NOT SCALE - IF IN DOUBT, ASK
 REMOVE ALL SHARP EDGES AND BURRS

TOLERANCES UNLESS OTHERWISE SPECIFIED	
LINEAR - 0 DECIMAL PLACES	±1.0mm
LINEAR - 1 DECIMAL PLACES	±0.50mm
LINEAR - 2 DECIMAL PLACES	±0.15mm
ANGULAR	
	±1.0°
SURFACE FINISH - GENERAL	
	3.2 µm
SURFACE FINISH - MACHINED	
	1.6 µm
SURFACE FINISH - GROUND	
	0.4 µm
SURFACE FINISH - POLISHED	
	0.2 µm
SCREW THREAD - INTERNAL	
	6H
SCREW THREAD - EXTERNAL	
	6g



LUMEN
 ROOFLIGHT

THE INFORMATION CONTAINED IN THIS DRAWING IS THE SOLE PROPERTY OF LUMEN. ANY REPRODUCTION IN PART OR AS A WHOLE WITHOUT WRITTEN PERMISSION IS STRICTLY PROHIBITED.
 SHEET: 1 OF 1 - A3
 DATE: 12/09/2015 UNITS: mm; kg

DRAWN: S.C
 SCALE: 1:15
 WEIGHT: 105

TITLE: EVO 3 ROOFLIGHT GA
 REF: EVO 3 SA. REF:

MATERIAL: MILD STEEL
 TREATMENT:
 FINISH: SHOT BLAST TO SA2.5 & POWDER COAT PZ770 SYSTEM

PART TYPE: BESPOKE
 PART REF: LUM3630A
 DRG. No. LUM3630A ISSUE: 1