

1 2 3

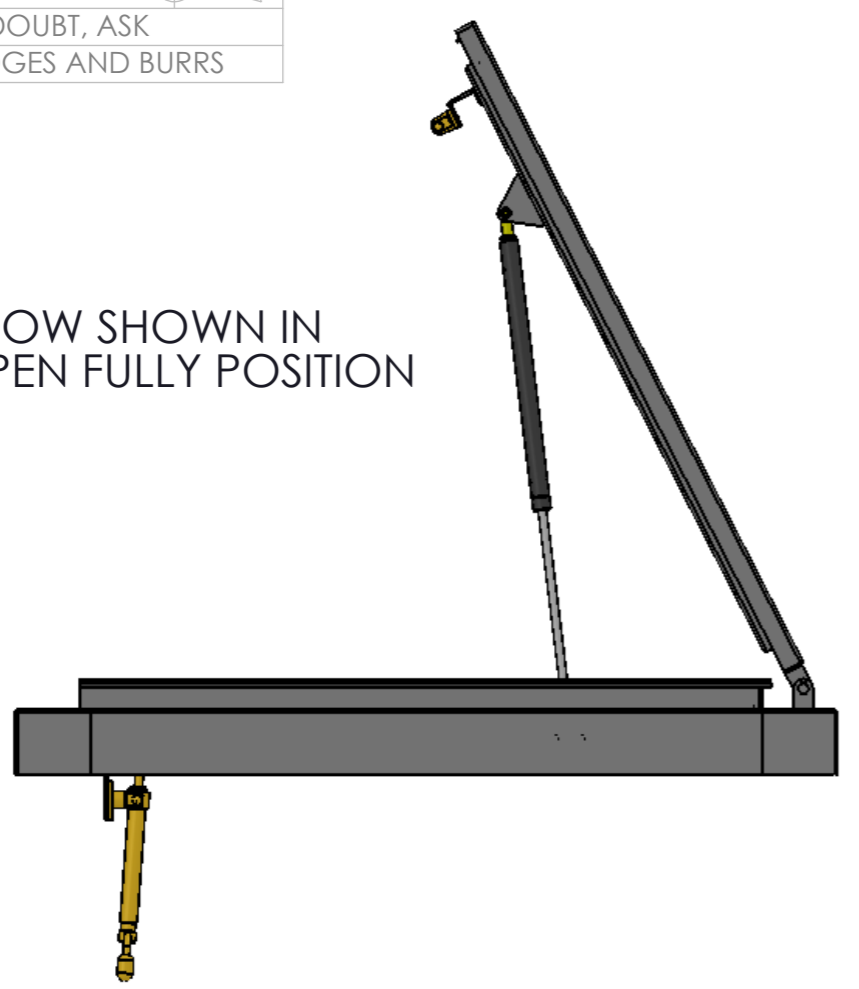
GENERAL INFORMATION
 3RD ANGLE PROJECTION
 DO NOT SCALE - IF IN DOUBT, ASK
 REMOVE ALL SHARP EDGES AND BURRS

10 11 12

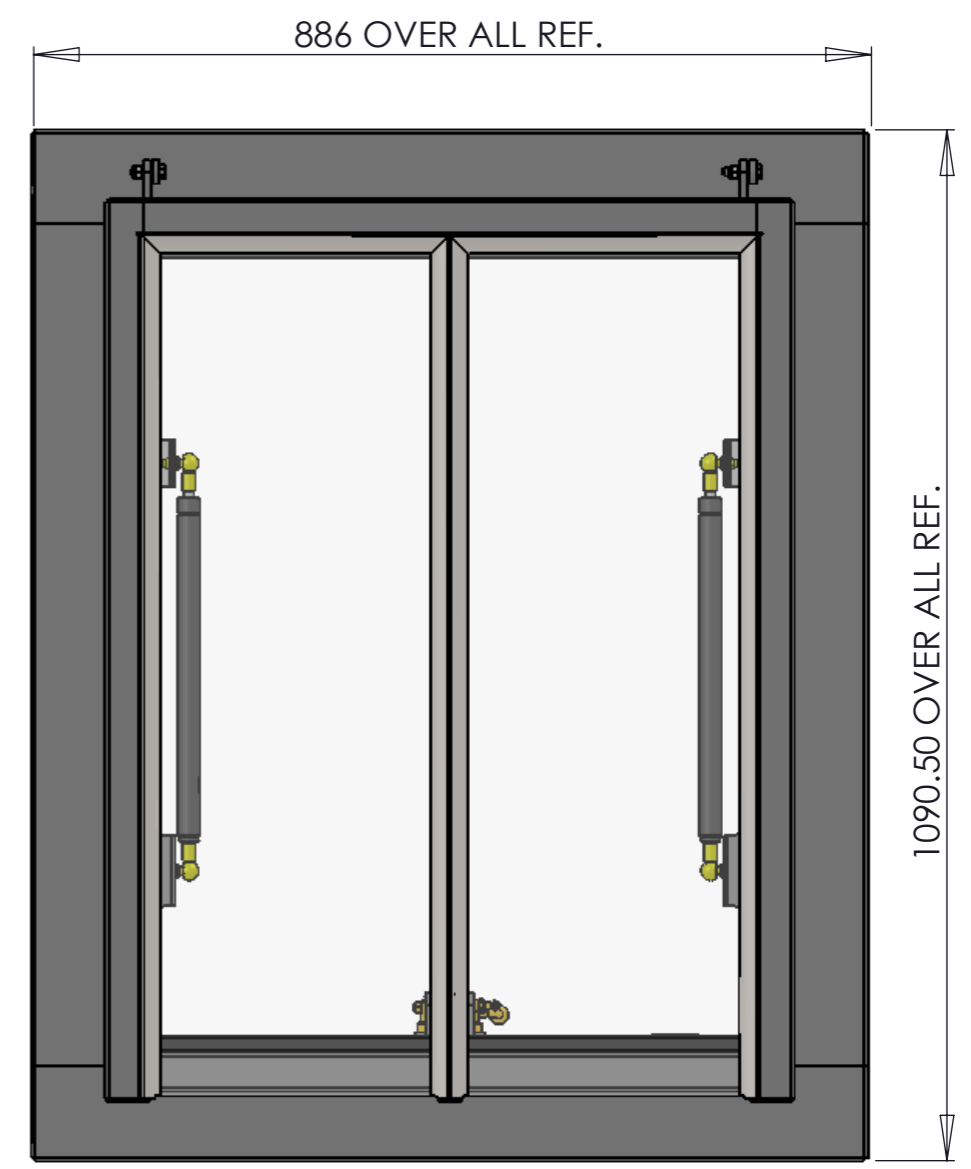
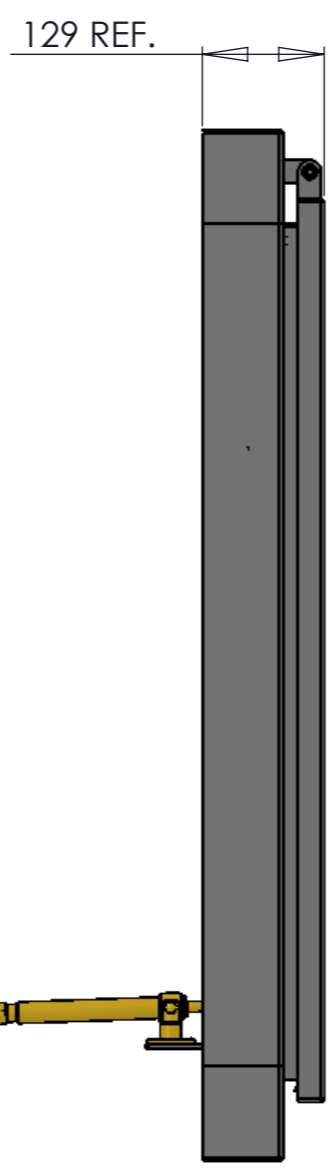
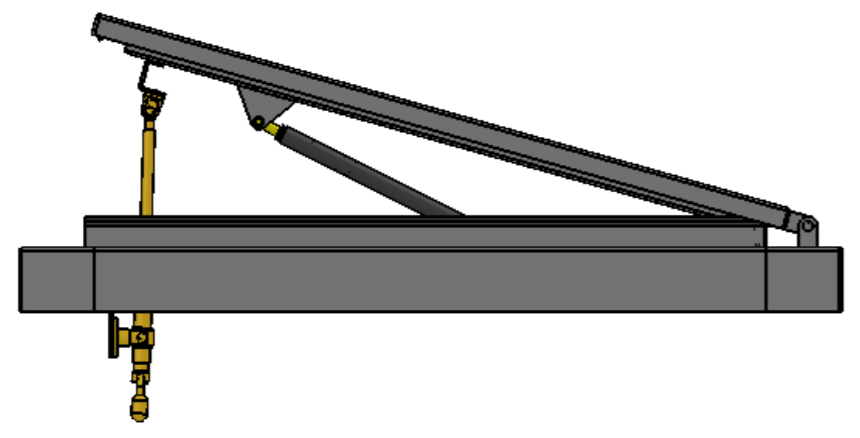
TOLERANCES UNLESS OTHERWISE SPECIFIED

LINEAR - 0 DECIMAL PLACES	±1.0mm
LINEAR - 1 DECIMAL PLACES	±0.50mm
LINEAR - 2 DECIMAL PLACES	±0.15mm
ANGULAR	±1.0°
SURFACE FINISH - GENERAL	3.2 µm
SURFACE FINISH - MACHINED	1.6 µm
SURFACE FINISH - GROUND	0.4 µm
SURFACE FINISH - POLISHED	0.2 µm
SCREW THREAD - INTERNAL	6H
SCREW THREAD - EXTERNAL	6g

WINDOW SHOWN IN ITS OPEN FULLY POSITION



WINDOW SHOWN IN ITS OPEN POSITION



LUMEN
ROOFLIGHT

THE INFORMATION CONTAINED IN THIS DRAWING IS THE SOLE PROPERTY OF LUMEN. ANY REPRODUCTION IN PART OR AS A WHOLE WITHOUT WRITTEN PERMISSION IS STRICTLY PROHIBITED

SHEET: 1 OF 2 - A3
 DATE: 13/02/2014 UNITS: mm; kg

DRAWN: S.C
 SCALE: 1:8
 WEIGHT: 55.12

TITLE: BESPOKE ROOFLIGHT GA

REF: 81-11595 SA. REF:

MATERIAL: MILD STEEL
 TREATMENT:
 FINISH: POWDER COAT RAL. 9005 BLACK

PART TYPE: BESPOKE
 PART REF: LUM1196A

DRG. No. LUM1195A ISSUE: 1

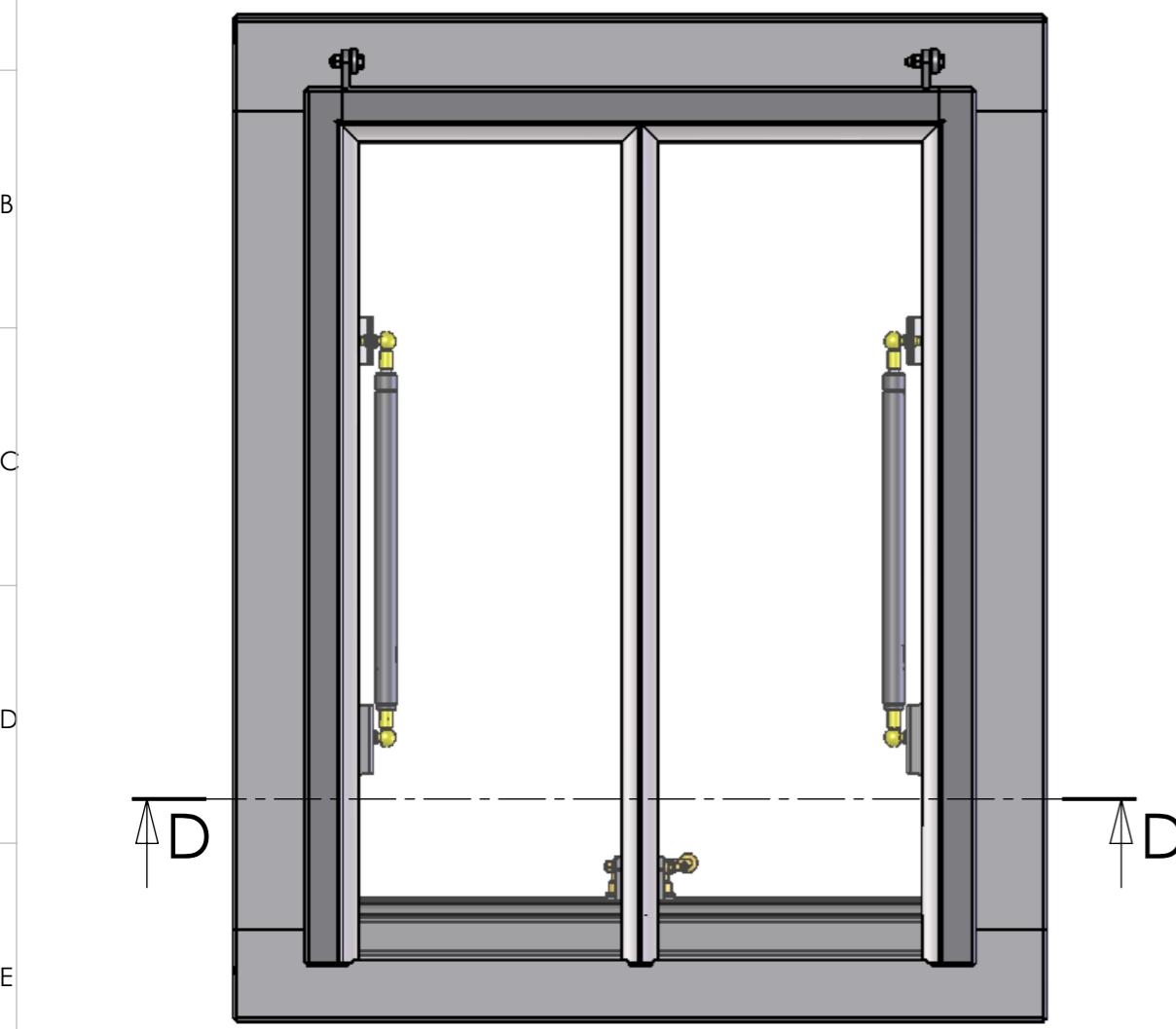
1 2 3 4 5 6 7 8 9 10 11 12

GENERAL INFORMATION
 3RD ANGLE PROJECTION
 DO NOT SCALE - IF IN DOUBT, ASK
 REMOVE ALL SHARP EDGES AND BURRS

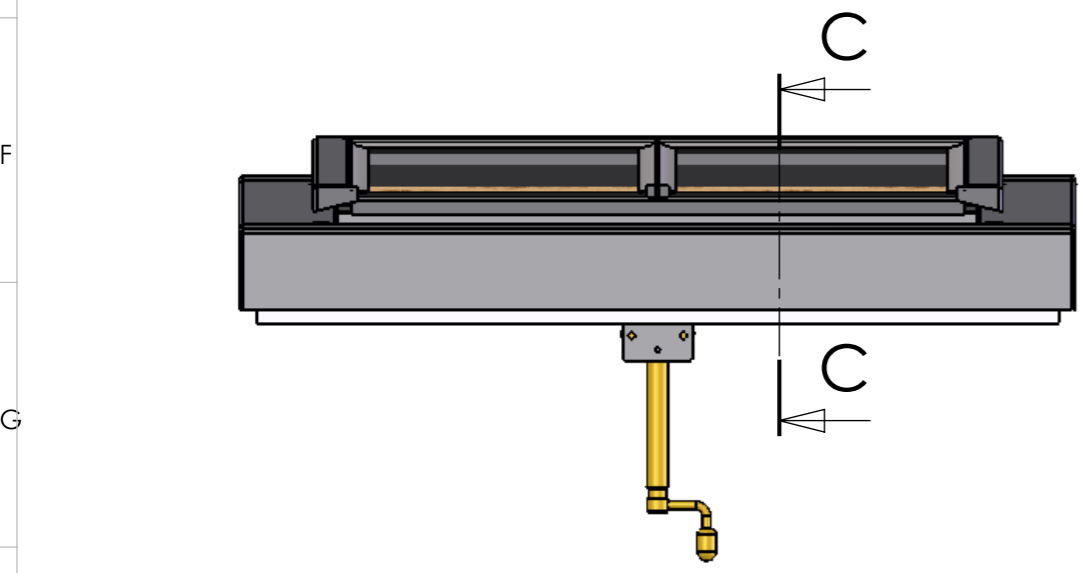
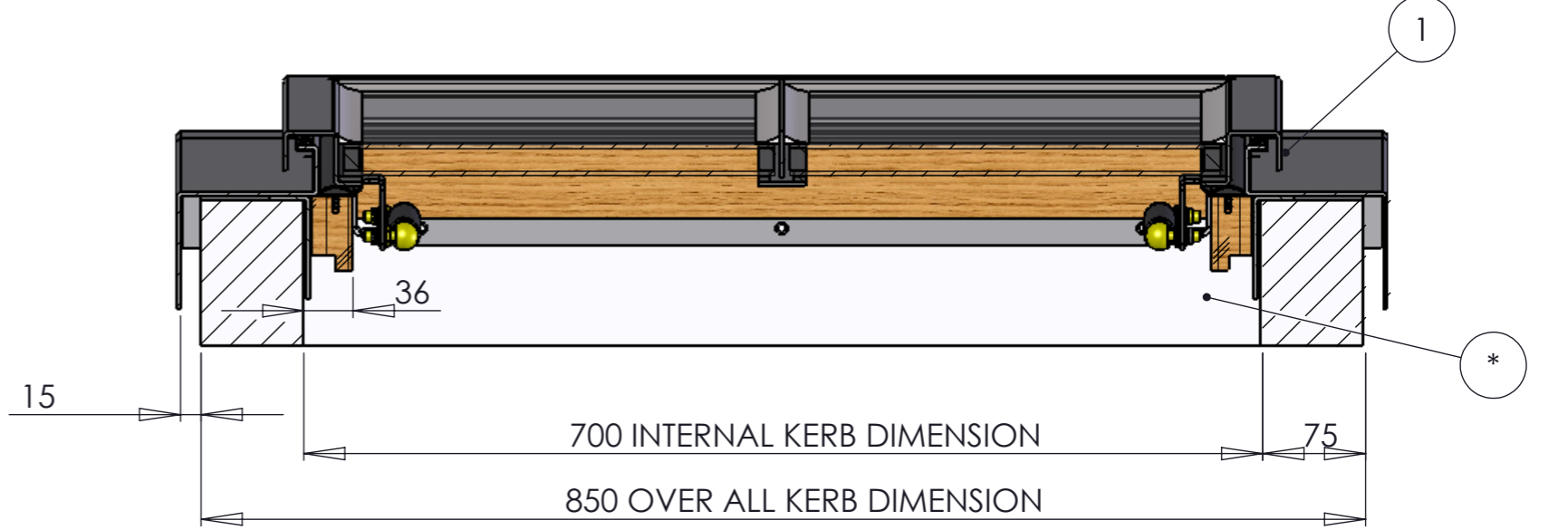
TOLERANCES UNLESS OTHERWISE SPECIFIED

LINEAR - 0 DECIMAL PLACES	±1.0mm
LINEAR - 1 DECIMAL PLACES	±0.50mm
LINEAR - 2 DECIMAL PLACES	±0.15mm
ANGULAR	±1.0°
SURFACE FINISH - GENERAL	3.2 µm
SURFACE FINISH - MACHINED	1.6 µm
SURFACE FINISH - GROUND	0.4 µm
SURFACE FINISH - POLISHED	0.2 µm
SCREW THREAD - INTERNAL	6H
SCREW THREAD - EXTERNAL	6g

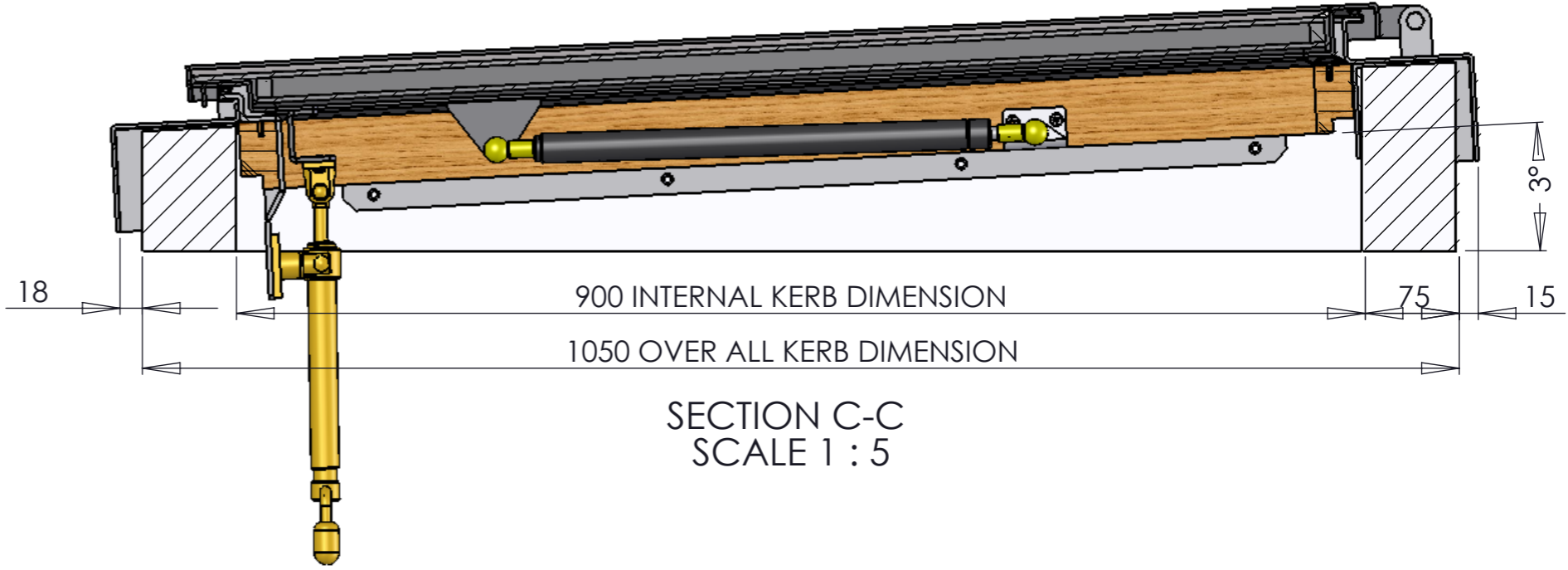
ITEM NO.	PART NUMBER	DESCRIPTION	QTY.
1	TUS1394A	BESPOKE ROOFLIGHT GA	1



SECTION D-D
SCALE 1 : 5



SECTION C-C
SCALE 1 : 5



LUMEN
ROOFLIGHT

THE INFORMATION CONTAINED IN THIS DRAWING IS THE SOLE PROPERTY OF LUMEN. ANY REPRODUCTION IN PART OR AS A WHOLE WITHOUT WRITTEN PERMISSION IS STRICTLY PROHIBITED

SHEET: 2 OF 2 - A3
 DATE: 13/02/2014 UNITS: mm; kg

DRAWN: S.C
 SCALE: 1:8
 WEIGHT: 87.28

TITLE: BESPOKE ROOFLIGHT INSTALLATION GA

REF: 81-11595 SA. REF:

MATERIAL: MILD STEEL
 TREATMENT:
 FINISH: POWDER COAT RAL. 9005 BLACK

PART TYPE: BESPOKE
 PART REF: LUM1195A

DRG. No. LUM1195A ISSUE: 1